

INSTALLATION FOR HBRA2 SERIES ROUND HIGHBAY



SAVE THESE INSTRUCTIONS - READ ALL INSTRUCTIONS CAREFULLY

⚠ WARNING



PLEASE READ ALL INSTRUCTIONS BEFORE ATTEMPTING INSTALLATION.

- To prevent personal injury or product damage only licensed electricians/personnel should install fixture.
- To avoid electric shock or component damage disconnect power before attempting installation or servicing.
- This product must be installed in accordance with the National Electric Code (NEC)/Canadian Electrical Code (CEC) and all applicable Federal, State/Provincial and Local Electric Codes and Safety Standards.
- Disconnect fixture and allow cooling prior to servicing.
- Any alteration or modification of this product is expressly forbidden as it may cause serious personal injury, death, property damage and/or product malfunction.
- To prevent product malfunction and/or electrical shock this product must be properly grounded.

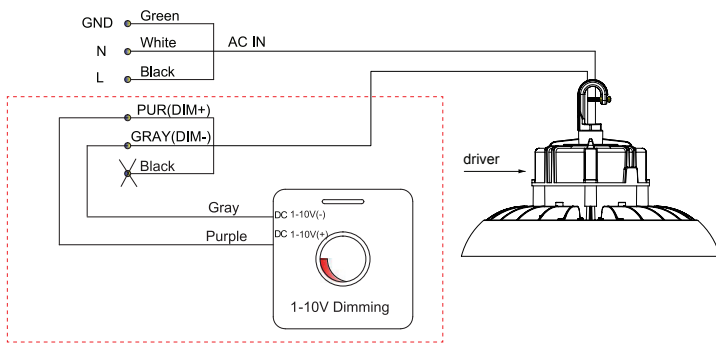
⚠ WARNING

- This Round High bay within the input voltage range: 120-277VAC or 347V, 50/60Hz.
- If input voltage exceeds this range, it may cause tube failure. Please be sure to operate under correct input voltage.
- Ensure ambient operating temperature of (-)20°C through 50°C.
- Using the Round High bay in temperatures outside of this range will reduce the UFO High bay life span.
- Make sure to turn off power before starting installation process.

⚠ ATTENTION

- IP Rating: IP65, can work under wet locations.
- Please keep the Round High bay away from any corrosive substance. When you clean it, please use damp or dry cloth.

WIRING CONNECTION

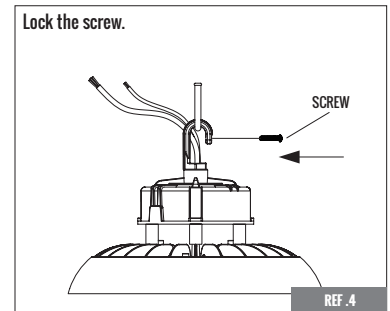
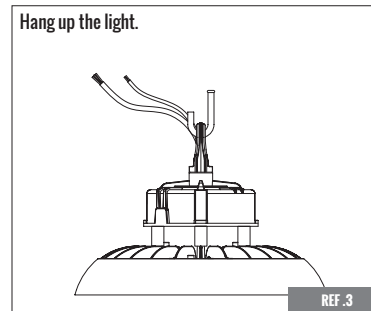
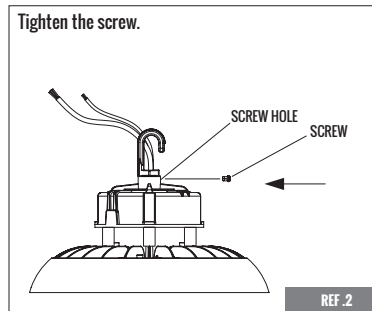
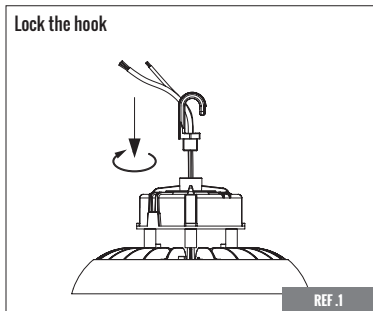


Turn off the power, connect AC wire. black wire to L, white wire to N, and green wire to E.

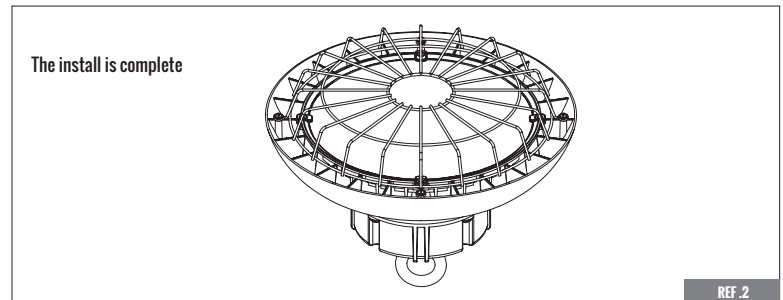
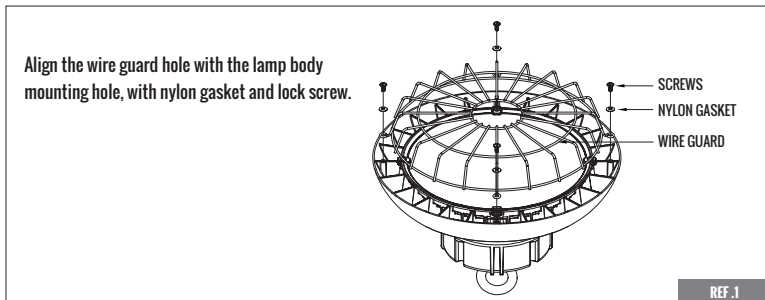
Dimmer connection (With dimmable driver.)

1. Compatible with 1-10V dimming.
2. Connect wires as below, purple wire is D+, gray wire is D-, cap black wire.

HOOK MOUNT



WIRE GUARD

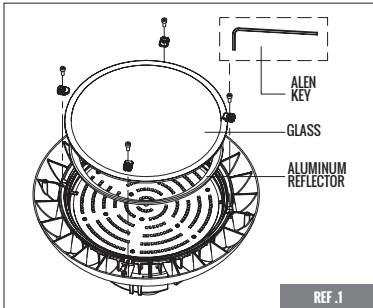


INSTALLATION FOR HBRA2 SERIES ROUND HIGHBAY

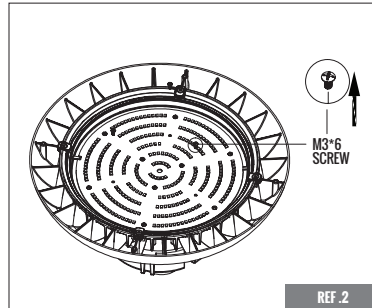
SAVE THESE INSTRUCTIONS - READ ALL INSTRUCTIONS CAREFULLY



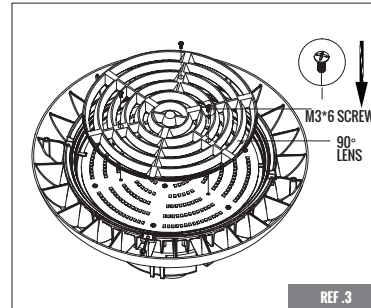
60 AND 90 DEGREE REFRACTOR



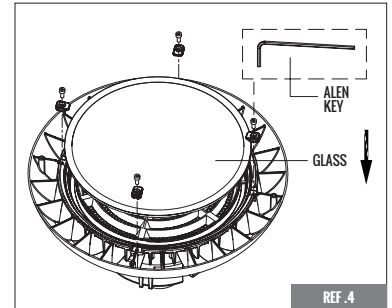
Place the fixture upside down, use an alen key to loosen the screws and clips that holds the glass cover. Remove the glass cover and the aluminum reflector.



Remove 3 pieces of the M3*6 screws.

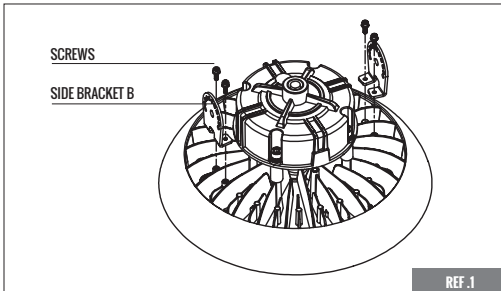


Fix the 60 or 90 degree lens to the board using the 3 pieces M3*6 screws.

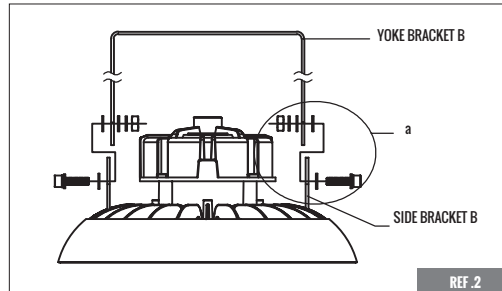


Put the glass cover back on the fixture using alen key and the clips and screws, tighten it.

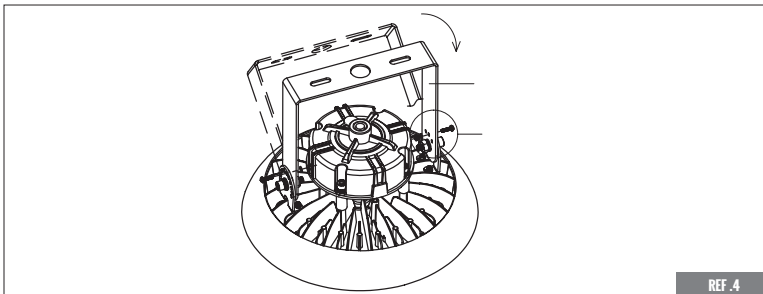
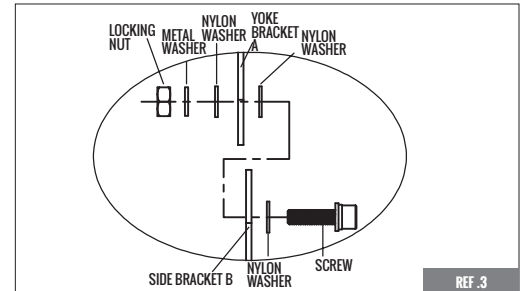
YOKE MOUNT



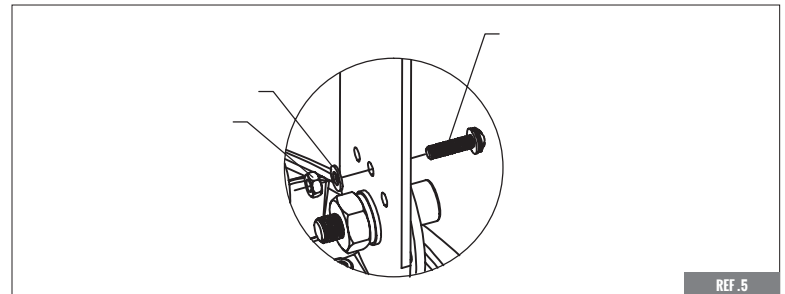
Fix the 2 side brackets B on each side using provided screws.



Assemble the yoke bracket A with the side bracket B as show in the figure.



REF. 4



REF. 5